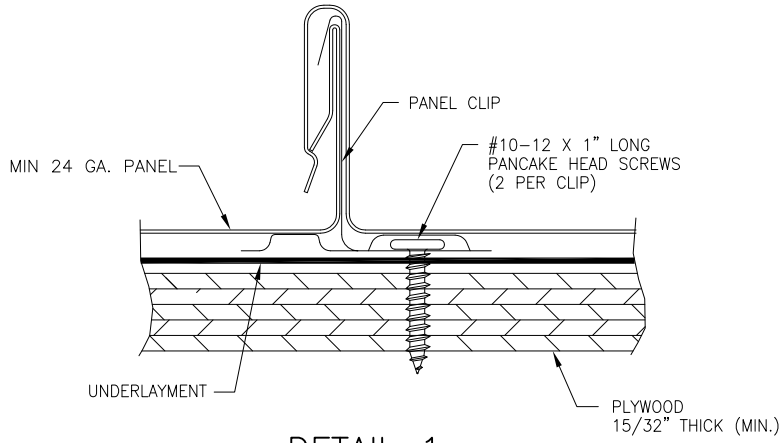
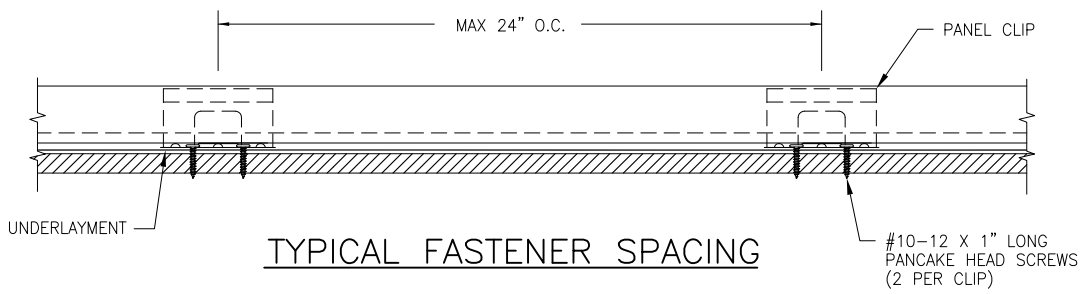


TYPICAL PANEL INSTALLATION X-SECTION



DETAIL 1



TYPICAL FASTENER SPACING

ALLOWABLE UPLIFT PRESSURE

CLIP SPACING (IN)	PRESSURE (PSF)
24	73.0
8	114.25

**GENERAL NOTES:**

1. ARCHITECTURAL ROOF PANEL HAS BEEN DESIGNED IN ACCORDANCE WITH THE FLORIDA BUILDING CODE (FBC).
2. ROOF PANELS SHALL BE MIN. 24 GA. MAX. EFFECTIVE COVERING WIDTH OF PANEL = 16"
3. THE ROOF PANELS SHALL BE INSTALLED OVER SHEATHING & STRUCTURE AS SPECIFIED ON THIS DRAWING.
4. REQUIRED DESIGN WIND LOADS SHALL BE DETERMINED FOR EACH PROJECT. THIS PANEL SYSTEM MAY NOT BE INSTALLED WHEN THE REQUIRED DESIGN WIND LOADS ARE GREATER THAN THE ALLOWABLE WIND LOADS SPECIFIED ON THIS DRAWING.
5. ALL FASTENERS MUST BE IN ACCORDANCE WITH THIS DRAWING & THE FLORIDA BUILDING CODE. IF A DIFFERENCE OCCURS BETWEEN THE MINIMUM REQUIREMENTS OF THIS DRAWING & THE CODE, THE CODE SHALL CONTROL.
6. RAFTERS/JOISTS/TRUSSES MUST BE DESIGNED TO WITHSTAND WIND LOADS AS REQUIRED FOR EACH APPLICATION AND ARE THE RESPONSIBILITY OF OTHERS.

DRAWN BY:	CHECKED BY:
B.S.	D.S.
LOT:	DATE:
	12/7/11
DATE	
BY	
REVISION DESCRIPTION	
NO.	

**VERTICAL SEAM PANEL**

MANUFACTURER  
**METAL SALES MANUFACTURING CORP.**  
 545 SOUTH 3RD ST., SUITE 200  
 LOUISVILLE, KY 40202  
 502-855-4300

CONSULTANTS  
**BALA SOCKALINGAM, PH.D., P.E.**  
 1216 N LANSING AVE, SUITE C  
 TULSA, OK 74106  
 PHONE: 918-492-5992 FAX: 866-366-1543

CERTIFICATION

**BALA SOCKALINGAM, P.E.**  
 P.E. NO. 62240

DRAWING NO.	REV.
1800-24	
PAGE NO.	
1	1