



Construction No. 161
TGKX.161
Roof Deck Constructions

[Page Bottom](#)

Design/System/Construction/Assembly Usage Disclaimer

- Authorities Having Jurisdiction should be consulted in all cases as to the particular requirements covering the installation and use of UL Listed or Classified products, equipment, system, devices, and materials.
 - Authorities Having Jurisdiction should be consulted before construction.
 - Fire resistance assemblies and products are developed by the design submitter and have been investigated by UL for compliance with applicable requirements. The published information cannot always address every construction nuance encountered in the field.
 - When field issues arise, it is recommended the first contact for assistance be the technical service staff provided by the product manufacturer noted for the design. Users of fire resistance assemblies are advised to consult the general Guide Information for each product category and each group of assemblies. The Guide Information includes specifics concerning alternate materials and alternate methods of construction.
 - Only products which bear UL's Mark are considered as Classified, Listed, or Recognized.
-

Roof Deck Constructions

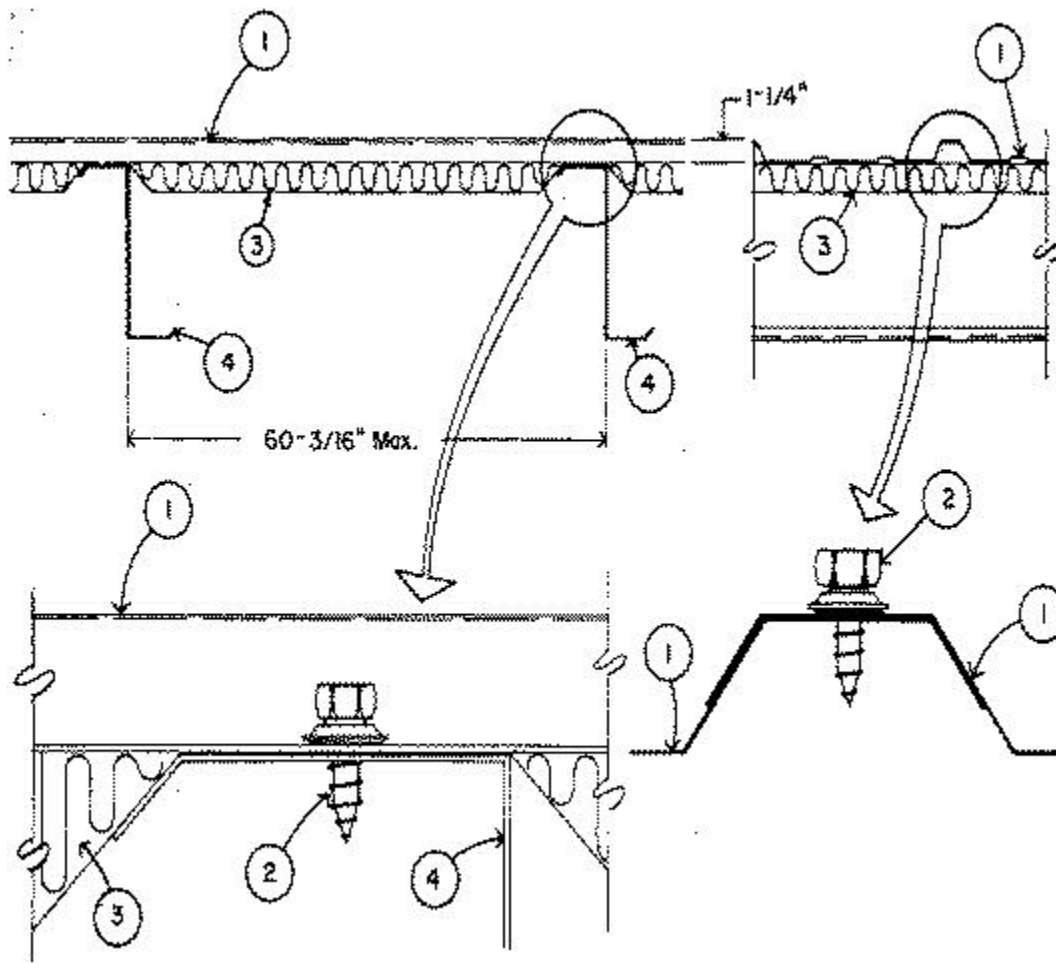
[See General Information for Roof Deck Constructions](#)

Construction No. 161

June 08, 2011

Uplift — Class 90

Fire Not Investigated



1. **Metal Roof Deck Panels*** — No. 26 MSG min gauge coated steel. Panels continuous over two or more spans. End laps to occur over purlins with panels overlapped 3 in. min., 6 in. max with lap centered over purlin web. A line of tape sealant may be used at panel side and end laps.

A & S BUILDING SYSTEMS L P ([View Classification](#)) — "R" or "PBR" Panel

ACI BUILDING SYSTEMS INC ([View Classification](#)) — "R" or "PBR Panel"

ALL STEEL BUILDINGS & COMPONENTS

TUBULAR DIVISION INC ([View Classification](#)) — "R or PBR panel"

ALLIANCE STEEL INC ([View Classification](#)) — "Alliance PBR"

AMERICAN BUILDING COMPONENTS ([View Classification](#)) — "R or PBR Panel"

AMERICAN BUILDINGS CO ([View Classification](#)) — Long Span III

ARCHITECTURAL INTEGRATED METALS INC ([View Classification](#)) — "PBR-Span", "R-Span"

BERRIDGE MFG CO ([View Classification](#)) — "R Panel"

BIGBEE STEEL BUILDINGS INC ([View Classification](#)) — "Bigbee-RibII"

BRIDGER STEEL ([View Classification](#)) — "PBR Panel"

BUILDING COMPONENTS INC ([View Classification](#)) — "R-PANEL" or "PBR-PANEL"

BUILDINGS BY MADDEN ([View Classification](#)) — "R-Panel"

B C STEEL BUILDINGS INC ([View Classification](#)) — B C Steel Building "R/PBR"

CENTRAL STATES MFG INC ([View Classification](#)) — "R Loc"

CENTRAL TEXAS METAL ROLLFORMING INC ([View Classification](#)) — "R-Panel" or "PBR-Panel"

CENTRIA ([View Classification](#)) — "R" or "PBR"

COMMERCIAL BUILDING COMPONENTS INC ([View Classification](#)) — "R"

CONSOLIDATED SYSTEMS INC ([View Classification](#)) — "R-Panel" or "PBR-Panel"

CORLE BUILDING SYSTEMS ([View Classification](#)) — "R Panel"

CREGO METAL SYSTEMS ([View Classification](#)) — "CMR"

EAST TEXAS ARCHITECTURAL SHEETMETAL L

L C, DBA ETAS INC ([View Classification](#)) — "R Panel"

FLORIDA PRE-FAB INC ([View Classification](#)) — "Florida Rib Panel"

GIDEON STEEL PANEL CO ([View Classification](#)) — "Gideon R-Panel" or "Gideon PBR"

IDEAL STEEL L L C ([View Classification](#)) — "PBR Panel"

INDACO METALS L L C ([View Classification](#)) — "Indaco R" or "Indaco PBR"

JNL STEEL COMPONENTS INC ([View Classification](#)) — "R-PANEL" or "PBR-PANEL"

KIRBY BUILDING SYSTEMS INC ([View Classification](#)) — "Kirby-Rib II"

MARLYN METALS INC ([View Classification](#)) — "R" or "PBR"

MBCI ([View Classification](#)) — "R" or "PBR" Panel

MCELROY METAL MILL INC ([View Classification](#)) — "R Panel"

MESCO METAL BUILDINGS ([View Classification](#)) — "R" or "PBR" Panel

METAL SALES MFG CORP ([View Classification](#)) — "R Panel", "PBR Panel".

MUELLER INC ([View Classification](#)) — "R" or "PBR"

NCI BUILDING SYSTEMS L P ([View Classification](#)) — "R" or "PBR" Panel

NUCOR BUILDING SYSTEMS, DIV OF NUCOR

CORP ([View Classification](#)) — "Classic"

PRIME BUILDING COMPONENTS L L C ([View Classification](#)) — "R Panel"

RIGID BUILDING SYSTEMS LTD ([View Classification](#)) — "R" or "PBR"

RUFFIN BUILDING SYSTEMS INC ([View Classification](#)) — "R" or "PBR"

S&S STEEL BUILDINGS INC ([View Classification](#)) — "RR" or "PRR"

SCHULTE BUILDING SYSTEMS LP ([View Classification](#)) — "R" or "PBR" Panel

SOUTHWEST METAL COMPONENTS AND SUPPLY

LP ([View Classification](#)) — "R-Panel" or "PBR"

SPIRKO MANUFACTURING ([View Classification](#)) — "R Panel"

STANDARD STRUCTURES INC ([View Classification](#)) — "PBR Panel" or "R Panel"

STEEL BUILDING SUPPLY INC ([View Classification](#)) — "R" or "PBR" Panel

STEEL BUILT CORP ([View Classification](#)) — "SBC PBR Panel"

STEEL SERVICE BUILDING CO ([View Classification](#)) — "R" or "R Panel PBL"

TAYLOR & SONS PIPE & STEEL INC ([View Classification](#)) — "R-Panel"

TEXAS BUILDING AND ROOFING SUPPLIES

INC — "R" or "PBR" Panel

TEXARKANA METAL BUILDING SUPPLY ([View Classification](#)) — "R Panel" or "PBR Panel"

TEXOMA STEEL BUILDINGS INC ([View Classification](#)) — "R" Panel.

UNION CORRUGATING CO ([View Classification](#)) — "R-Panel" or "PBR-Panel"

UNITED STRUCTURES OF AMERICA INC ([View Classification](#)) — "U. S. A. R"

WHEELER METALS INC ([View Classification](#)) — "R-Panel"

2. **Panel Fasteners** — For panel to panel and panel to purlin connections to be No. 12-14 by 1 in. self-drilling, self-tapping, hex head, plated steel screws with a 5/8 in. OD formed steel washer and a neoprene sealing washer.

As alternate Fasteners — For panel to purlin connections, 1/4 - 14 HHAB self-tapping, plating steel screws, with a separate 5/8 in. OD dome shaped steel washer and a neoprene sealing washer may be used.

Or: No. 14-10HHA, self-tapping, plating steel screws, with a separate, 5/8 in. OD dome shaped steel washer and a neoprene sealing washer may be used.

Spacing, for panel — to — purlin connections to be 12 in. on center beginning 2 — 1/2 in. from center line on one side of each major rib. Spacing at end lap to be in a 5 — 7 — 5 — 7 in. pattern beginning 2 — 1/2 in. from the center line on both sides of each major rib.

Fastener for panel to purlin connection to be 1-1/4 or 1-1/2 in. long when insulation (Item 3) is greater than 4-1/2 in.

Spacing for panel — to — panel connections to be 20 in. on center with a fastener located in line with the purlin fasteners.

3. **Insulation** — (Optional) — Any compressible blanket insulation 6 in. max thickness before compression.

4. **Purlin** — No. 16 MSG min gauge steel (50,000 psi min yield).

5. **Lateral Bracing** — (Not shown) — As required.

Refer to General Information, Roof Deck Construction, (Roofing Materials and Systems Directory) for items not evaluated.

*Bearing the UL Classification Mark

Last Updated on 2011-06-08

[Questions?](#)

[Print this page](#)

[Notice of Disclaimer](#)

[Page Top](#)

[Copyright © 2011 Underwriters Laboratories Inc.®](#)

The appearance of a company's name or product in this database does not in itself assure that products so identified have been manufactured under UL's Follow-Up Service. Only those products bearing the UL Mark should be considered to be Listed and covered under UL's Follow-Up Service. Always look for the Mark on the product.

UL permits the reproduction of the material contained in the Online Certification Directory subject to the following conditions: 1. The Guide Information, Designs and/or Listings (files) must be presented in their entirety and in a non-misleading manner, without any manipulation of the data (or drawings). 2. The statement "Reprinted from the Online Certifications Directory with permission from Underwriters Laboratories Inc." must appear adjacent to the extracted material. In addition, the reprinted material must include a copyright notice in the following format: "Copyright © 2011 Underwriters Laboratories Inc.®"

An independent organization working for a safer world with integrity, precision and knowledge.

