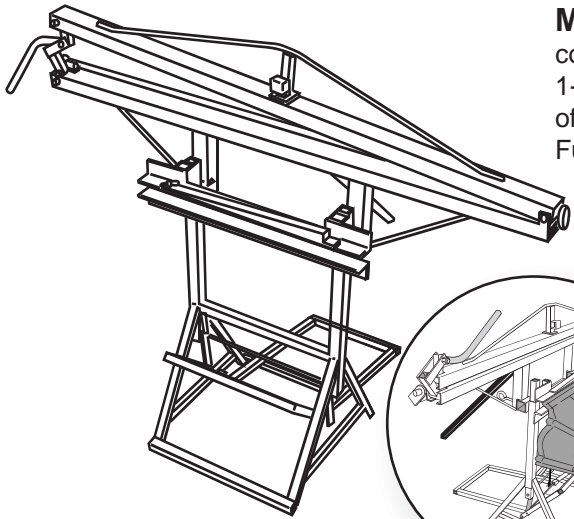
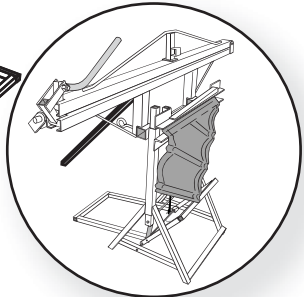


# Installation Kit



## **METRO INSTALLATION KIT** (Part No. 505104)

complete kit consisting of:  
1-Foot Bender, 1-Top Bender, 1-Cutter w/ 2 sets  
of legs & 2-Batten Spacers  
Full Kit Weight 165 lbs. (75.00kg)



## **Top Bender** (Part No. 505102)

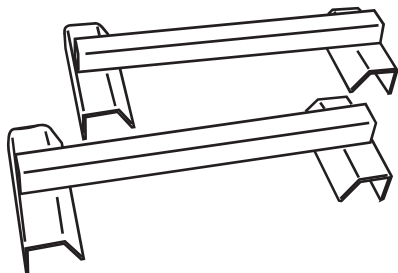
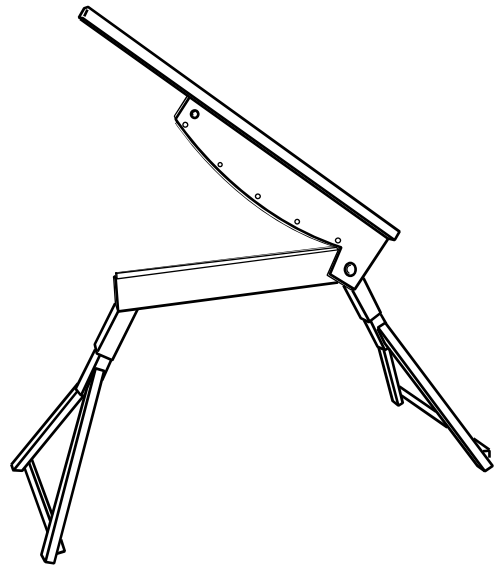
61"x18"x4", 62 lbs. (28.1kg)

## **Bottom Bender** (Part No. 505103)

34"x20"x16", 46 lbs. (20.9kg)

## **Cutter** (Part No. 505101)

With 2 sets of legs, tall & short. 14"x40"x3", 39lbs. (17.7kg)  
Universal Cutter is used for Tile, Shake-II & Shingle.  
Short legs are used when the cutter is used on the roof.



## **Batten Spacer** (Part No. 508100)

14.5"x7" 2.7 lbs. (1.2kg)  
2 per kit, sold individually.

**Best Buy Metals**

**Toll Free 1-800-728-4010 / Phone 423-479-6382 / Fax 423-728-3066**

[www.BestBuyMetals.com](http://www.BestBuyMetals.com)