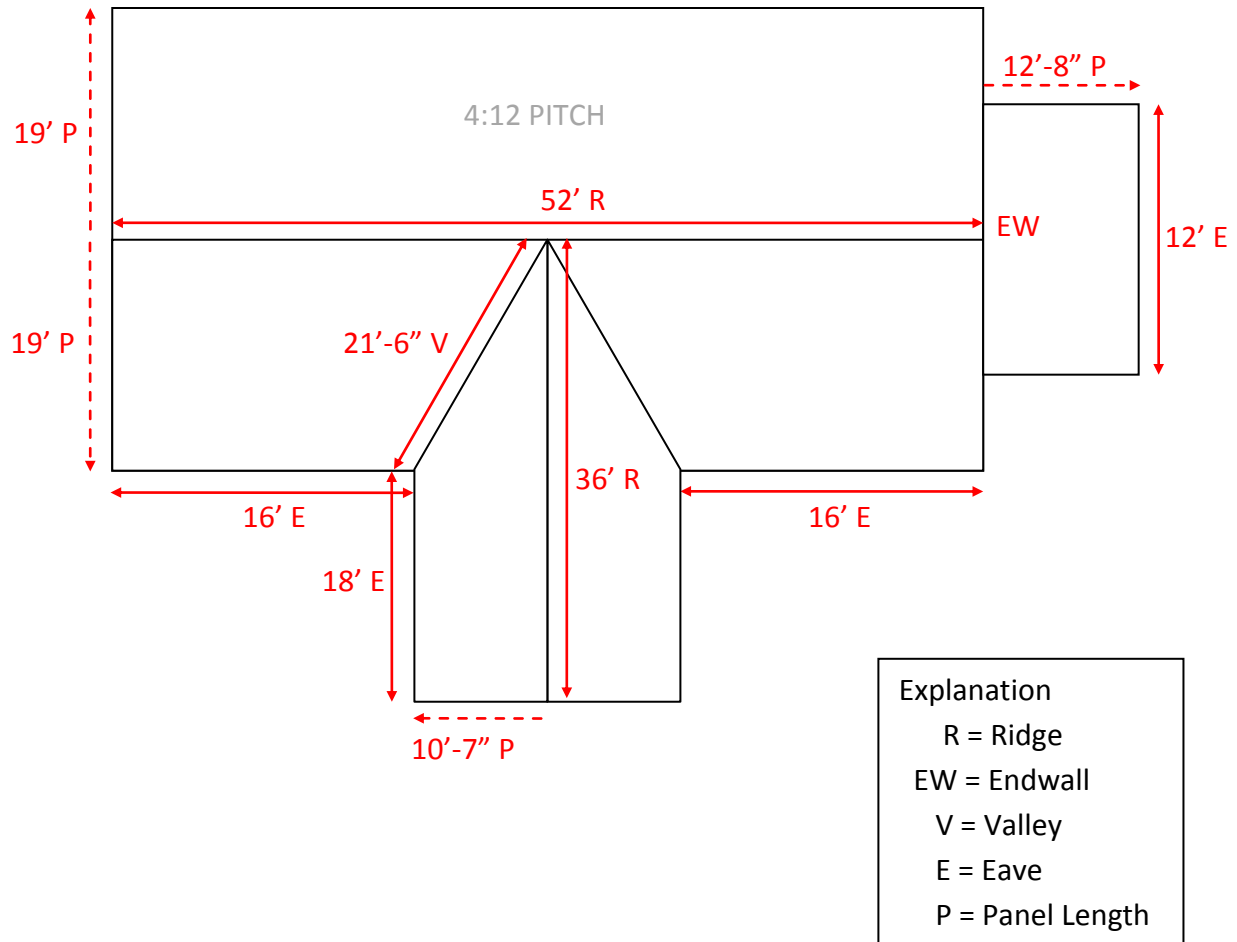


## HOW TO FIGURE METAL ROOFING MATERIALS

- The first step in figuring your metal roofing is to make a sketch of it, complete with the roof measurements. Take the house below as an example:



**Note:** From here you can just present us with this drawing and the product you want figured, and from there we'll do the rest, figuring both the panels and trim you need. Be sure to include the completed form on page 7.

## METAL SHINGLE, SHAKE, SLATE, TILE MATERIAL LIST

Put in the sq footage of shingles and feet of trim you need in the correct spaces, then fax or email it to us for an estimate

Shingles	
SQ FT	SQ FT

Trim	
Roof Area	Feet
Ridge or Hip	
Gable	
Eave	
Valley	
Transition	
Endwall	
Sidewall	
Other (specify)	
Other (specify)	
Other (specify)	

Other	
Roof Pipes (specify sizes)	
Chimneys (specify sizes)	
Other Protrusions	
Other	

**TOTAL =**



Phone (800) 728-4010  
 Fax (423) 728-3066  
[www.bestbuymetals.com](http://www.bestbuymetals.com)  
[info@bestbuymetals.com](mailto:info@bestbuymetals.com)

## QUOTE REQUEST SHEET – METAL ROOFING

Fill this sheet out and send it along with your materials list or drawing, and we'll gladly figure up the cost.  
 We can then email or fax it directly to you.

<b>Name:</b>		<b>Date:</b>	
<b>Phone:</b>		<b>Important Additional Information:</b> (If you know the pitch(es) of your roof, please include them here.)	
<b>Cell: (optional)</b>			
<b>Fax: (optional)</b>			
<b>Email: (optional)</b>			
<b>Ship To Address:</b>			
<b>Product(s):</b> (If applicable also specify gauge and whether you would like it painted or bare mill finish)			
<b>Circle One:</b>	<i>Vented Ridge</i> <i>Non-Vented Ridge</i> <i>Figure Both as options</i>		
<b>Circle One:</b>	<i>Include Synthetic Underlayment as an option</i> <i>Don't Include Underlayment</i>		
<b>Circle One:</b>	<i>Include Ice &amp; Water Shield at Eaves, Valleys &amp; Dormers as an option</i> <i>Don't Include Ice &amp; Water Shield</i>		

Fax to (423) 728-3066	Or	Email to <a href="mailto:info@bestbuymetals.com">info@bestbuymetals.com</a>
-----------------------	----	---