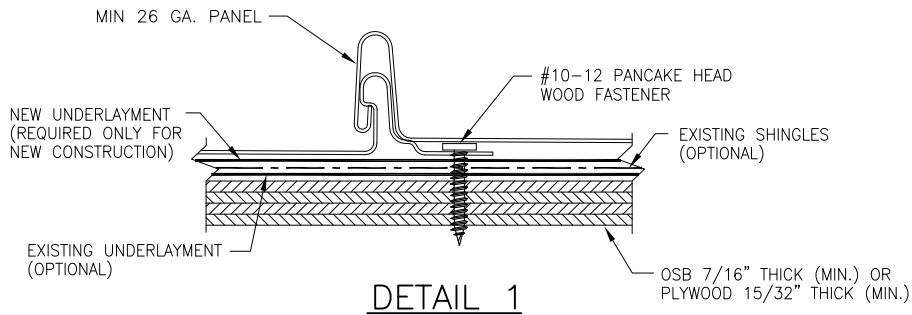
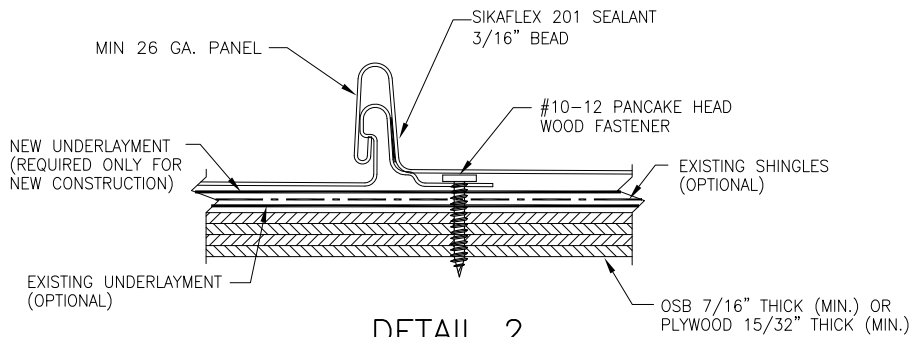


TYPICAL PANEL INSTALLATION X-SECTION



DETAIL 1



DETAIL 2

ALLOWABLE UPLIFT PRESSURE

FASTENER SPACING ALONG RIB	SEAM SEALANT DIAMETER	PRESSURE (PSF)
6"	NONE	52.5
6"	3/16"	112.5

GENERAL NOTES:

1. ARCHITECTURAL ROOF PANEL HAS BEEN DESIGNED IN ACCORDANCE WITH THE FLORIDA BUILDING CODE (FBC).
2. ALL ROOF PANELS ARE SHALL BE 26 GA. EFFECTIVE COVERING WIDTH OF OF PANEL = 16".
3. THE ROOF PANELS SHALL BE INSTALLED OVER SHEATHING & STRUCTURE AS SPECIFIED ON THIS DRAWING.
4. REQUIRED DESIGN WIND LOADS SHALL BE DETERMINED FOR EACH PROJECT. THIS PANEL SYSTEM MAY NOT BE INSTALLED WHEN THE REQUIRED DESIGN WIND LOADS ARE GREATER THAN THE ALLOWABLE WIND LOAD TABLE.
5. ALL FASTENERS MUST BE IN ACCORDANCE WITH THIS DRAWING & THE FLORIDA BUILDING CODE. IF A DIFFERENCE OCCURS BETWEEN THE MINIMUM REQUIREMENTS OF THIS DRAWING & THE CODE, THE CODE SHALL CONTROL.
6. RAFTERS/JOISTS/TRUSSES MUST BE DESIGNED TO WITHSTAND WIND LOADS AS REQUIRED FOR EACH APPLICATION AND ARE THE RESPONSIBILITY OF OTHERS.

<small>DRAWN BY:</small> B.S.	<small>CHECKED BY:</small> J.S.
<small>PLOT:</small>	<small>DATE:</small> 2/8/12
<small>DATE</small>	
<small>BY</small>	
<small>NO.</small>	<small>REVISION DESCRIPTION</small>
<small>DRAWING TITLE</small> ADVANTAGELOK II PANEL	
<small>CONSULTANTS</small> BALA SOCKALINGAM, PH.D., P.E.	
<small>MANUFACTURER</small> UNION CORRUGATING CO. 701 S. KING STREET FAYETTEVILLE, NC 28301 910-483-2195	
<small>1216 N LANSING AVE, SUITE C TULSA, OK 74106 PHONE: 918-492-5992 FAX: 866-366-1543</small>	
<small>CERTIFICATION</small> BALA SOCKALINGAM, P.E. P.E. NO. 62240	
<small>DRAWING NO.</small> C1828-2	<small>REV.</small>
<small>SHEET NO.</small> 1 OF 1	