



DEPARTMENT OF REGULATORY AND ECONOMIC RESOURCES (RER)
BOARD AND CODE ADMINISTRATION DIVISION

MIAMI-DADE COUNTY
PRODUCT CONTROL SECTION
11805 SW 26 Street, Room 208
Miami, Florida 33175-2474
T (786) 315-2590 F (786) 315-2599
www.miamidade.gov/pera

NOTICE OF ACCEPTANCE (NOA)

Union Corrugating Company
P.O. Box 229
Fayetteville, NC 28302

SCOPE:

This NOA is being issued under the applicable rules and regulations governing the use of construction materials. The documentation submitted has been reviewed and accepted by Miami-Dade County RER - Product Control Section to be used in Miami Dade County and other areas where allowed by the Authority Having Jurisdiction (AHJ).

This NOA shall not be valid after the expiration date stated below. The Miami-Dade County Product Control Section (In Miami Dade County) and/or the AHJ (in areas other than Miami Dade County) reserve the right to have this product or material tested for quality assurance purposes. If this product or material fails to perform in the accepted manner, the manufacturer will incur the expense of such testing and the AHJ may immediately revoke, modify, or suspend the use of such product or material within their jurisdiction. RER reserves the right to revoke this acceptance, if it is determined by Miami-Dade County Product Control Section that this product or material fails to meet the requirements of the applicable building code.

This product is approved as described herein, and has been designed to comply with the Florida Building Code including the High Velocity Hurricane Zone of the Florida Building Code.

DESCRIPTION: 5V Metal Roof Panel

LABELING: Each unit shall bear a permanent label with the manufacturer's name or logo, city, state and following statement: "Miami-Dade County Product Control Approved", unless otherwise noted herein.

RENEWAL of this NOA shall be considered after a renewal application has been filed and there has been no change in the applicable building code negatively affecting the performance of this product.

TERMINATION of this NOA will occur after the expiration date or if there has been a revision or change in the materials, use, and/or manufacture of the product or process. Misuse of this NOA as an endorsement of any product, for sales, advertising or any other purposes shall automatically terminate this NOA. Failure to comply with any section of this NOA shall be cause for termination and removal of NOA.

ADVERTISEMENT: The NOA number preceded by the words Miami-Dade County, Florida, and followed by the expiration date may be displayed in advertising literature. If any portion of the NOA is displayed, then it shall be done in its entirety.

INSPECTION: A copy of this entire NOA shall be provided to the user by the manufacturer or its distributors and shall be available for inspection at the job site at the request of the Building Official.

This revises NOA# 12-0214.15 and consists of pages 1 through 11.
The submitted documentation was reviewed by Alex Tigera.



NOA No.: 12-1231.03
Expiration Date: 05/17/17
Approval Date: 03/21/13
Page 1 of 11

ROOFING ASSEMBLY APPROVAL:

Category:	Roofing
Sub-Category:	Non-Structural Metal Roofing
Material:	Steel
Deck Type:	Wood
Maximum Design Pressure	-150 psf (See General Limitation #2)

TRADE NAMES OF PRODUCTS MANUFACTURED OR LABELED BY APPLICANT:

<u>Product</u>	<u>Dimensions</u>	<u>Test Specifications</u>	<u>Product Description</u>
5V Metal Roof Panel	Length: varies Width: 26" (Coverage width : 24") Height: 1/2" Min. Thickness 0.019" Min. Yield Strength: 78ksi	TAS 125	Metal Roof panel coated with various approved coatings of Ceram-A-Star® 900.

MANUFACTURING LOCATION:

1. Ocala, FL.
2. Fayetteville, NC.

EVIDENCE SUBMITTED:

<u>Test Agency</u>	<u>Test Identifier</u>	<u>Test Name/Report</u>	<u>Date</u>
PRI Construction Materials Technologies	UCC-005-02-01	TAS 125	01/06/12
PRI Construction Materials Technologies	UCC-007-02-01	TAS-100	01/06/12
Farrabaugh Engineering and Testing, Inc.	T164-06	TAS-125	06/08/06
Farrabaugh Engineering and Testing, Inc.	T164-06	TAS-125	10/15/07
Akzo Nobel Coatings, Inc.	Lab Test Certification	ASTM B-117 ASTM G-23	
PRI Asphalt Technologies, Inc.	HTL-001-01-01	PA 100	02/18/02
Hurricane Test Laboratory, Inc.	0293-0202-06	TAS 125	06/05/06
Hurricane Test Laboratory, Inc.	0293-0609-05	TAS 125	06/22/05



APPROVED ASSEMBLIES:

System A: "5V" 26 Ga. Metal Panel
Deck Type: Wood, Non-insulated
Deck Description: New Construction or Re-Roof ¹⁵/₃₂" or greater plywood or wood plank.
Slope Range: 2": 12" or greater
Maximum Uplift Pressure: See Table A Below. (See Limitation #2)

Deck Attachment: In accordance with applicable Building Code, but in no case shall it be less than 8d ring shank nails spaced 6" o.c around the perimeter and 6" o.c. in the field. In reroofing, where the deck is less than ¹⁹/₃₂" thick (Minimum ¹⁵/₃₂"") The above attachment method must be in addition to existing attachment.

Underlayment: Minimum underlayment shall be a ASTM D 226 Type II installed with a minimum 4" side-laps and 6" end-laps. Underlayment shall be fastened with corrosion resistant tin-caps and 1 1/4" annular ring-shank nails, spaced 6" o.c. at all laps and two staggered rows 12" o.c. in the field of the roll.

Valleys: Valley construction shall be in compliance with Roofing Application Standard RAS 133 and with Union Corrugating Company's current published installation instructions.

Fire Barrier Board: Any approved fire barrier having a current NOA. Refer to a current fire directory listing for fire ratings of this roofing system assembly as well as the location of the fire barrier within the assembly. See Limitation # 1.

Metal Panels and Accessories: Install the "5V Steel Roofing Panel" and accessories in compliance with Union Corrugating Company's current published installation instructions and details. Flashing, penetrations, valley construction and other details shall be constructed in compliance with the minimum requirements provided in Roofing Application Standards RAS 133.

5V Roofing Panels shall be fastened with a minimum of #9 Hex Head Wood corrosion resistant fasteners with sealing washer. Fasteners shall of sufficient length to penetrate through the sheathing a minimum of ³/₁₆". Fasteners shall be place in accordance with fastener detail herein as follows:

1. All fasteners are to be located on top of the ribs as shown in **Detail A** herein.
2. All fasteners at center rib, underlap rib, and overlap rib shall be spaced at a maximum distance listed in **Table A** below parallel to the roof slope. See **Detail A** herein.

TABLE A MAXIMUM DESIGN PRESSURES		
Roof Areas	Field	Perimeter and Corner ¹
Maximum Design Pressures	-85.825 psf	-113.1 psf
Maximum Fastener Spacing	24" o.c.	12" o.c.

1. Extrapolation shall not be allowed



System B:	“5V” 26 Ga. Metal Panel
Deck Type:	Wood, Non-insulated
Deck Description:	New Construction or Re-Roof ¹⁵ / ₃₂ " or greater plywood or wood plank.
Slope Range:	2": 12" or greater
Maximum Uplift Pressure:	The maximum allowable design pressure for the 24" wide panel shall be -120.9 psf. (See Limitation #2)
Deck Attachment:	In accordance with applicable Building Code, but in no case shall it be less than #8 x 2" wood screws spaced 6" o.c around the perimeter and 12" o.c. in the field.. In reroofing, where the deck is less than ¹⁹ / ₃₂ " thick (Minimum ¹⁵ / ₃₂ "") The above attachment method must be in addition to existing attachment.
Underlayment:	Minimum underlayment shall be a ASTM D 226 Type II installed with a minimum 4" side-laps and 6" end-laps. Underlayment shall be fastened with corrosion resistant tin-caps and 1/4" annular ring-shank nails, spaced 6" o.c. at all laps and two staggered rows 12" o.c. in the field of the roll.
Valleys:	Valley construction shall be in compliance with Roofing Application Standard RAS 133 and with Union Corrugating Company's current published installation instructions.
Fire Barrier Board:	Any approved fire barrier having a current NOA. Refer to a current fire directory listing for fire ratings of this roofing system assembly as well as the location of the fire barrier within the assembly. See Limitation # 1.
Metal Panels and Accessories:	Install the "5V Steel Roofing Panel" and accessories in compliance with Union Corrugating Company's current published installation instructions and details. Flashing, penetrations, valley construction and other details shall be constructed in compliance with the minimum requirements provided in Roofing Application Standards RAS 133. 5V Roofing Panels shall be fastened with a minimum of #9 Hex Head Wood corrosion resistant fasteners with sealing washer. Fasteners shall of sufficient length to penetrate through the sheathing a minimum of ³ / ₁₆ ". Fasteners shall be place in accordance with fastener detail herein as follows: <ol style="list-style-type: none"> 1. Panel side ribs shall be fastened along side of the panel inside ribs, one fastener at the overlap and one fastener at the underlap. Center panel rib shall be fastened with one fastener at the overlap side of the panel. 2. All fasteners at center rib, underlap rib, and overlap rib shall be spaced at a maximum of 24 inches o.c. parallel to the roof slope. See Detail B herein.



System C: "5V" 26 Ga. Metal Panel
Deck Type: Wood, Non-insulated
Deck Description: New Construction or Re-Roof ¹⁵/₃₂" or greater plywood or wood plank.
Slope Range: 2": 12" or greater
Maximum Uplift Pressure: See Table C Below. (See Limitation #2)

Deck Attachment: In accordance with applicable Building Code, but in no case shall it be less than 8d ring shank nails spaced 6" o.c around the perimeter and 6" o.c. in the field. In reroofing, where the deck is less than ¹⁹/₃₂" thick (Minimum ¹⁵/₃₂"") The above attachment method must be in addition to existing attachment.

Underlayment: Minimum underlayment shall be a ASTM D 226 Type II installed with a minimum 4" side-laps and 6" end-laps. Underlayment shall be fastened with corrosion resistant tin-caps and 1 1/4" annular ring-shank nails, spaced 6" o.c. at all laps and two staggered rows 12" o.c. in the field of the roll.

Valleys: Valley construction shall be in compliance with Roofing Application Standard RAS 133 and with Union Corrugating Company's current published installation instructions.

Fire Barrier Board: Any approved fire barrier having a current NOA. Refer to a current fire directory listing for fire ratings of this roofing system assembly as well as the location of the fire barrier within the assembly. See Limitation # 1.

Metal Panels and Accessories: Install the "5V Steel Roofing Panel" and accessories in compliance with Union Corrugating Company's current published installation instructions and details. Flashing, penetrations, valley construction and other details shall be constructed in compliance with the minimum requirements provided in Roofing Application Standards RAS 133.

5V Roofing Panels shall be fastened with a minimum of #9 Hex Head Wood corrosion resistant fasteners with sealing washer. Fasteners shall of sufficient length to penetrate through the sheathing a minimum of ³/₁₆". Fasteners shall be place in accordance with fastener detail herein as follows:

1. All fasteners are to be located on side of the ribs as shown in **Detail C** herein.
2. All fasteners alongside center rib, underlap rib, and overlap rib shall be spaced at a maximum distance listed in **Table C** below parallel to the roof slope. See **Detail C** herein.

TABLE C MAXIMUM DESIGN PRESSURES		
Roof Areas	Field	Perimeter and Corner¹
Maximum Design Pressures	-63.75 psf	-106.5 psf
Maximum Fastener Spacing	16" o.c.	16" o.c.
Fastener Location	See Detail C – Field Condition	See Detail C – Perimeter and Corner Condition



System D: "5V" 26 Ga. Metal Panel
Deck Type: Wood, Non-insulated
Deck Description: New Construction 1⁹/₃₂" or greater plywood or wood plank.
Slope Range: 2": 12" or greater
Maximum Uplift Pressure: See Table D Below. (See Limitation #2)

Deck Attachment: In accordance with applicable Building Code, but in no case shall it be less than 8d ring shank nails spaced 6" o.c around the perimeter and 6" o.c. in the field.

Underlayment: Minimum underlayment shall be a ASTM D 226 Type II installed with a minimum 4" side-laps and 6" end-laps. Underlayment shall be fastened with corrosion resistant tin-caps and 1¹/₄" annular ring-shank nails, spaced 6" o.c. at all laps and two staggered rows 12" o.c. in the field of the roll.

Valleys: Valley construction shall be in compliance with Roofing Application Standard RAS 133 and with Union Corrugating Company's current published installation instructions.

Fire Barrier Board: Any approved fire barrier having a current NOA. Refer to a current fire directory listing for fire ratings of this roofing system assembly as well as the location of the fire barrier within the assembly. See Limitation # 1.

Metal Panels and Accessories: Install the "5V Steel Roofing Panel" and accessories in compliance with Union Corrugating Company's current published installation instructions and details. Flashing, penetrations, valley construction and other details shall be constructed in compliance with the minimum requirements provided in Roofing Application Standards RAS 133.

5V Roofing Panels shall be fastened with a minimum of #9 Hex Head Wood corrosion resistant fasteners with sealing washer. Fasteners shall of sufficient length to penetrate through the sheathing a minimum of ³/₁₆". Fasteners shall be place in accordance with fastener detail herein as follows:

1. All fasteners are to be located on side of the ribs as shown in **Detail C** herein.
2. All fasteners alongside center rib, underlap rib, and overlap rib shall be spaced at a maximum distance listed in **Table D** below parallel to the roof slope. See **Detail C** herein.

TABLE D		
MAXIMUM DESIGN PRESSURES		
Roof Areas	Field	Perimeter and Corner¹
Maximum Design Pressures	-63.75 psf	-150 psf
Maximum Fastener Spacing	16" o.c.	16" o.c.
Fastener Location	See Detail C – Field Condition	See Detail C – Perimeter and Corner Condition



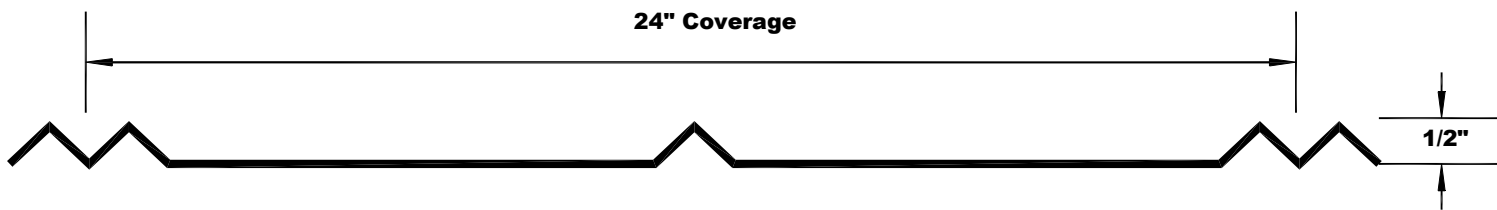
LIMITATIONS

1. Fire classification is not part of this acceptance; refer to a current Approved Roofing Materials Directory for fire ratings of this product.
2. The maximum designed pressure listed herein shall be applicable to all roof pressure zones (i.e. field, perimeters, and corners). Neither rational analysis, nor extrapolation shall be permitted for enhanced fastening at enhanced pressure zones (i.e. perimeters, extended corners and corners).
3. Panels may be rolls formed in continuous lengths from eave to ridge. Maximum lengths shall be as described in Roofing Application Standard RAS 133
4. All panels shall be permanently labeled with the manufacturer's name and/or logo, and the following statement: "Miami-Dade County Product Control Approved" or with the Miami-Dade County Product Control Seal as seen below. All clips shall be permanently labeled with the manufacturer's name and/or logo, and/or model.



5. All products listed herein shall have a quality assurance audit in accordance with the Florida Building Code and Rule 9N-3 of the Florida Administrative Code.

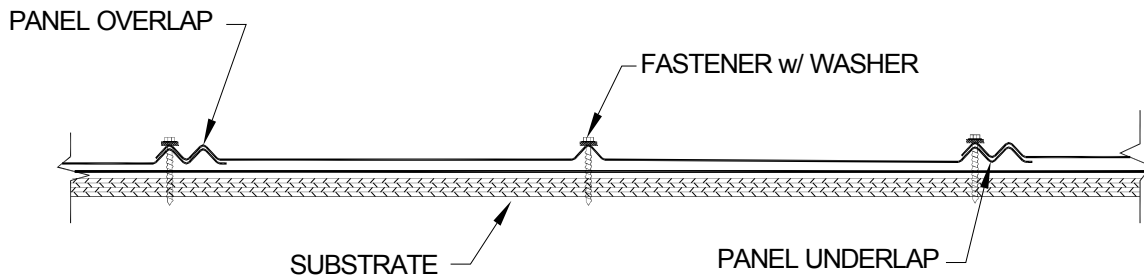
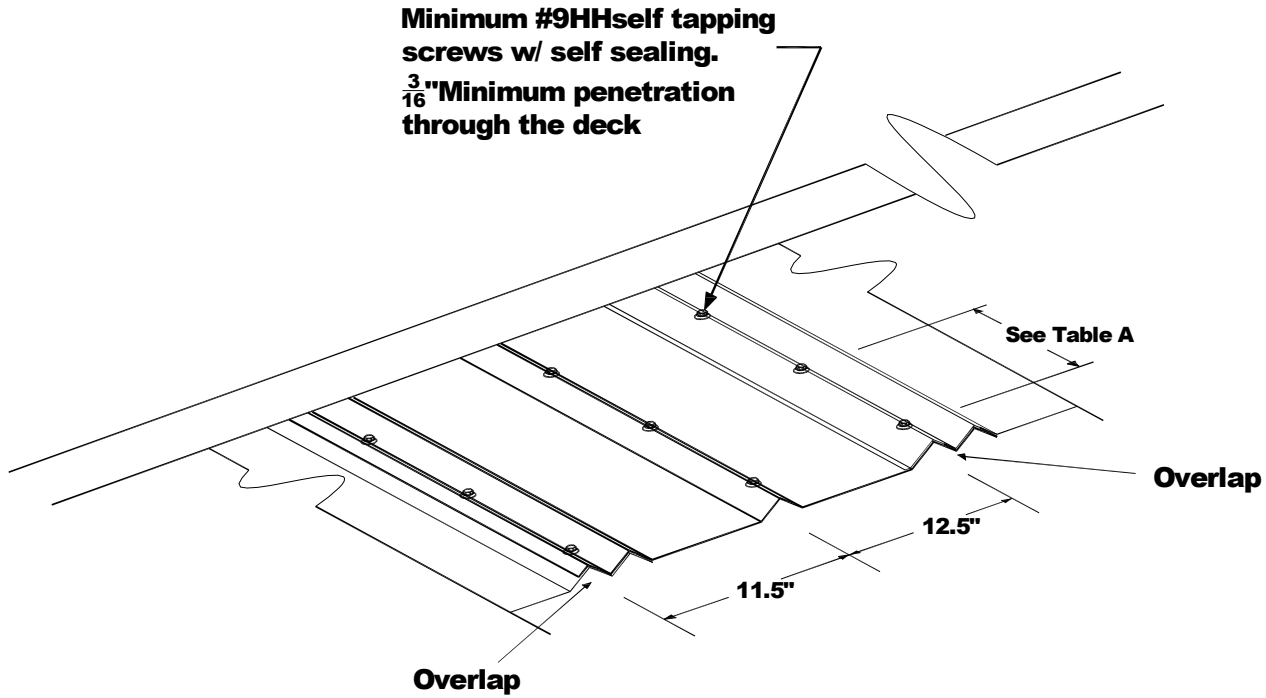
DETAIL DRAWINGS



5V PANEL

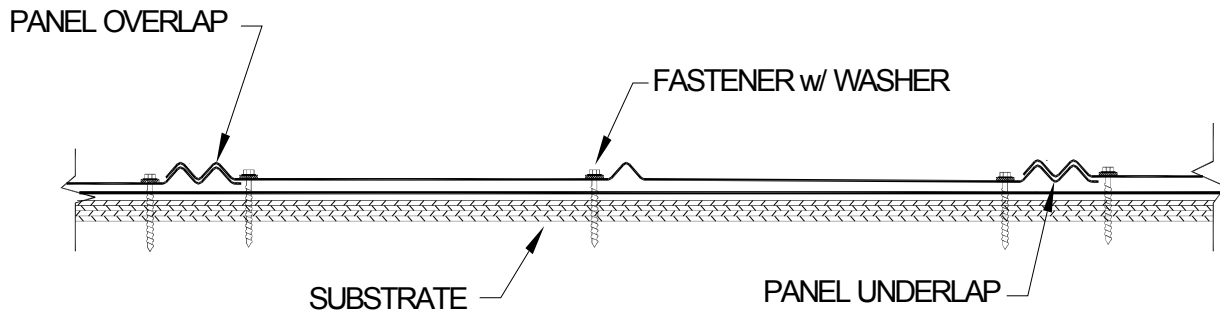
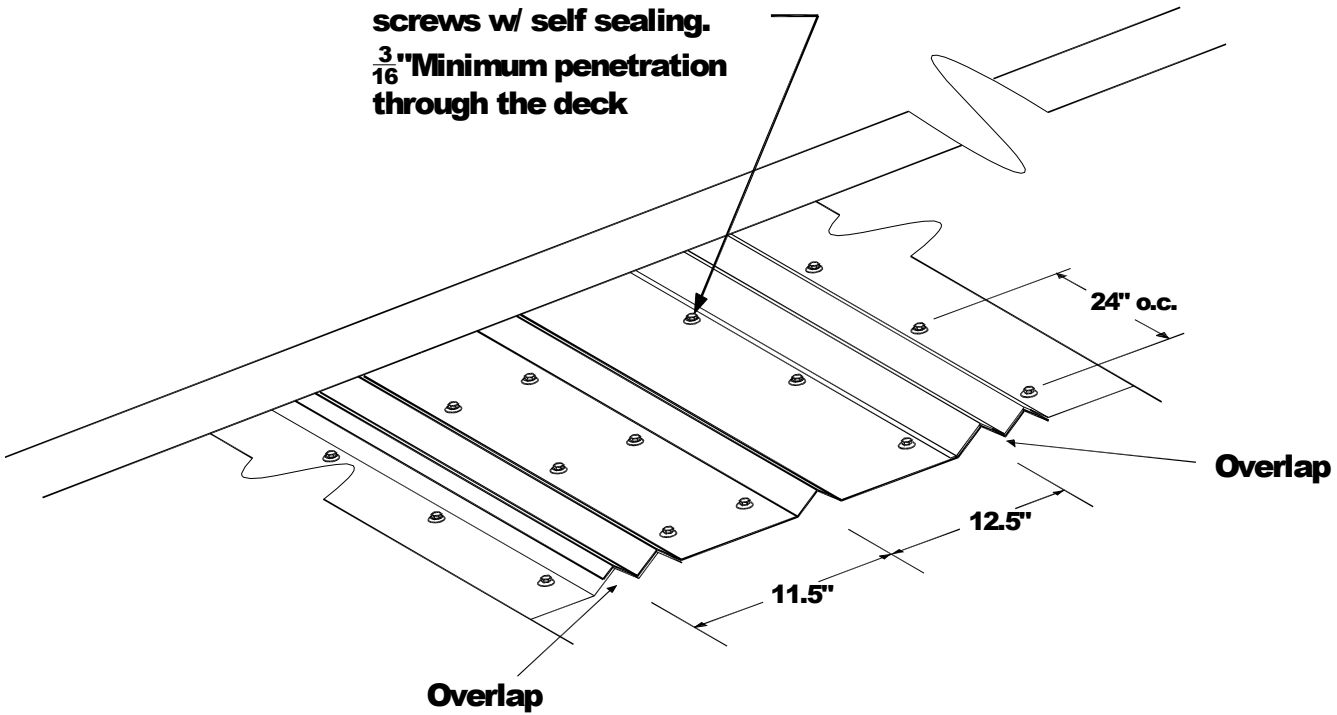


DETAIL A – SYSTEM A



DETAIL B – SYSTEM B

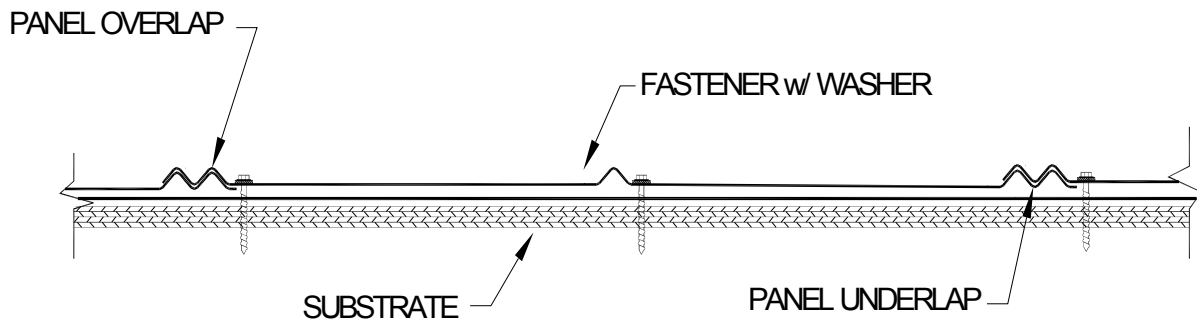
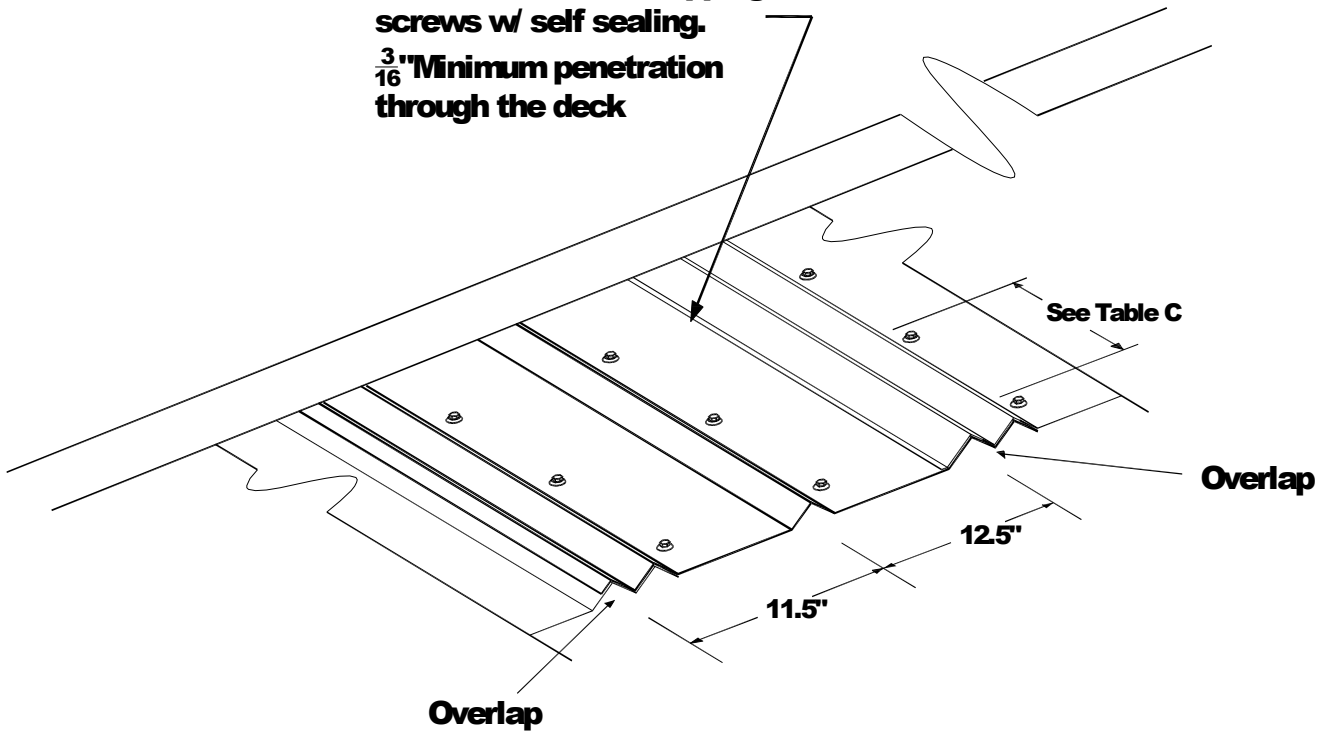
Minimum #9HH self tapping screws w/ self sealing.
 $\frac{3}{16}$ " Minimum penetration through the deck



DETAIL C – SYSTEM C

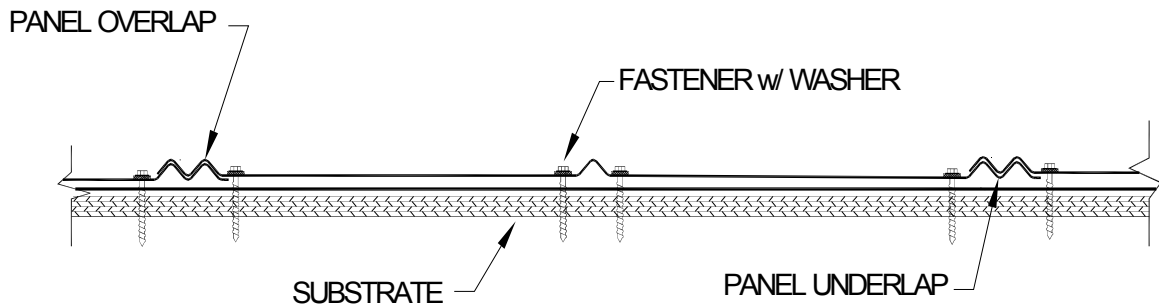
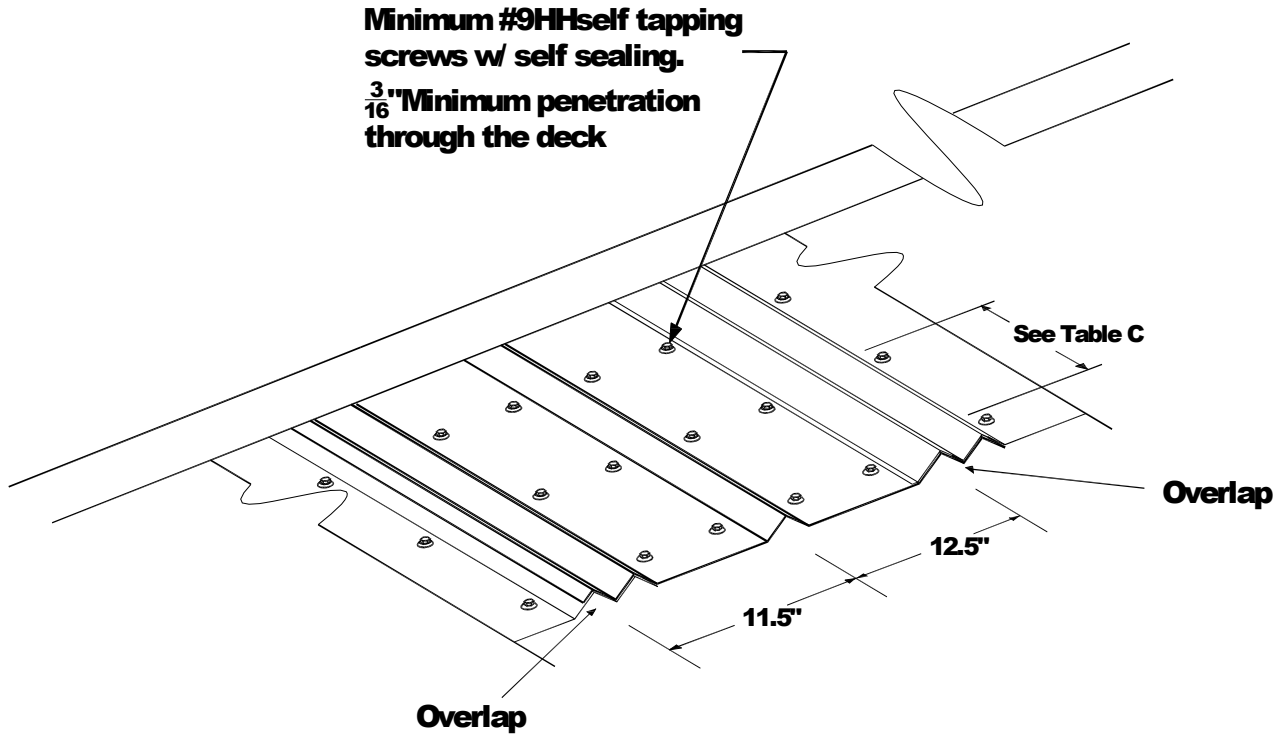
FIELD CONDITION

Minimum #9H self tapping screws w/ self sealing.
 $\frac{3}{16}$ " Minimum penetration through the deck



DETAIL C (CONTINUED) – SYSTEM C

PERIMETER AND CORNER CONDITION



END OF THIS ACCEPTANCE

